



- Applications**
- Container Terminals
 - Sporting Facilities
 - Airport Aprons
 - Parking Lots
 - Ports

Certifications Pending

- KC
- UL
- CE

Description

Luminous efficiency decides the value of 130 lm/W
High-power LED light with middle power chip and reflector technology
Excellent light distribution and thermal design with natural convection
Dimming control using wireless ZigBee

Specifications

Model Name	MAN600	
Power Consumption	600W	
Light Source	0.2W Mid Power LED Chips (2560 pcs)	
Correlated Color Temperature	5000K (3000K / 4000K available)	
Luminous Flux *	78,000 lm	
Luminous Efficacy *	130 lm/W	
LED Driving Current *	78 mA	
Color Rendering Index	80 Ra	
Light Distribution	Asymmetric Wide	
BUG Rating	B3 – U3 – G5 (Backlight – Uplight – Glare)	
LED Chip Manufacturer	LG	
Input Voltage	220 ~ 240 Vac	200 ~ 277 Vac
Input Current	Max 3.5A (@200Vac)	
Power Factor	≥0.9 at Max load	
Frequency	50 / 60 Hz	
Surge Protection Device	Line-Line 20kV, Line-FG 20kV	
Driver Type	Constant Current (CC)	
Fixture & Driver Manufacturer	KMW INC. / Made in Korea	
Size (W x L x H)	24.7 x 31.7 x 7.6 (inch)	629 x 807.5 x 193.5 (mm)
Weight (Driver included)	59.5 lb	27.0 Kg
Material	Body	Cast Aluminum
	Optic	Silver Coating Reflector
	Cover	Tempered Glass 4.0T (Clear)
Finish	Powder Coating	
IP Rating	IP66	
Mounting Option	Swivel Bracket	
Operating Temperature	-22°F ~ 131°F	-30°C ~ 55°C
Life Time	50,000 Hours (@77°F / 25°C)	

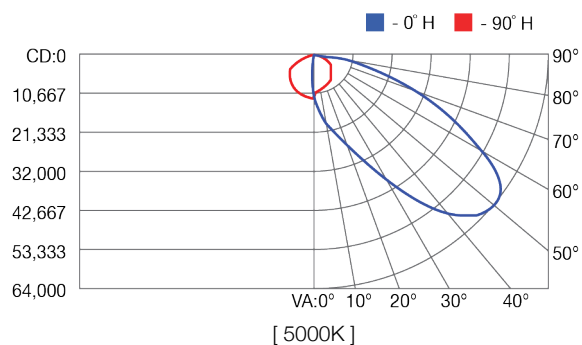
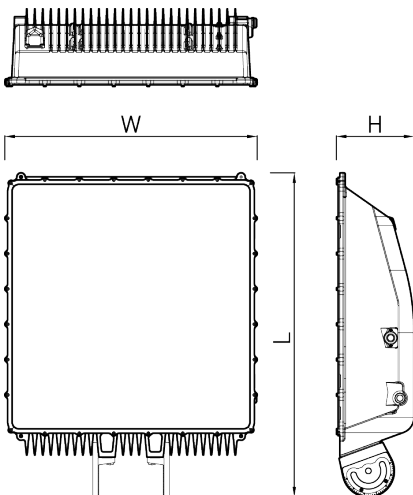
Option

Control System	Wireless (ZigBee)
-----------------------	-------------------

*Tolerance : ± 5%

Photometry







See photometric .ies files for details.



Control System (Optional)

ZigBee	Wireless Control
Input Voltage	15 Vdc
Max. Power Consumption	0.3 W (@15Vdc)
Standard	2.4 GHz - IEEE 802.15.4 (Compatible)
Network	Mesh
RF Tx Power	Max. +8 dBm (Typ. 5 dBm)
Data Rate	250 kbps
Security	128 bit AES Encryption Algorithms
Dimmer	PWM, 0 – 10 Vdc
Antenna	Omni Type, 2 dBi

Mount Bracket (Built-In)

		
		
Up : 110° / Down : 60°	Up : 20° / Down : 90°	Up : 20° / Down : 90°